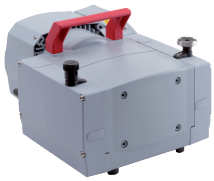
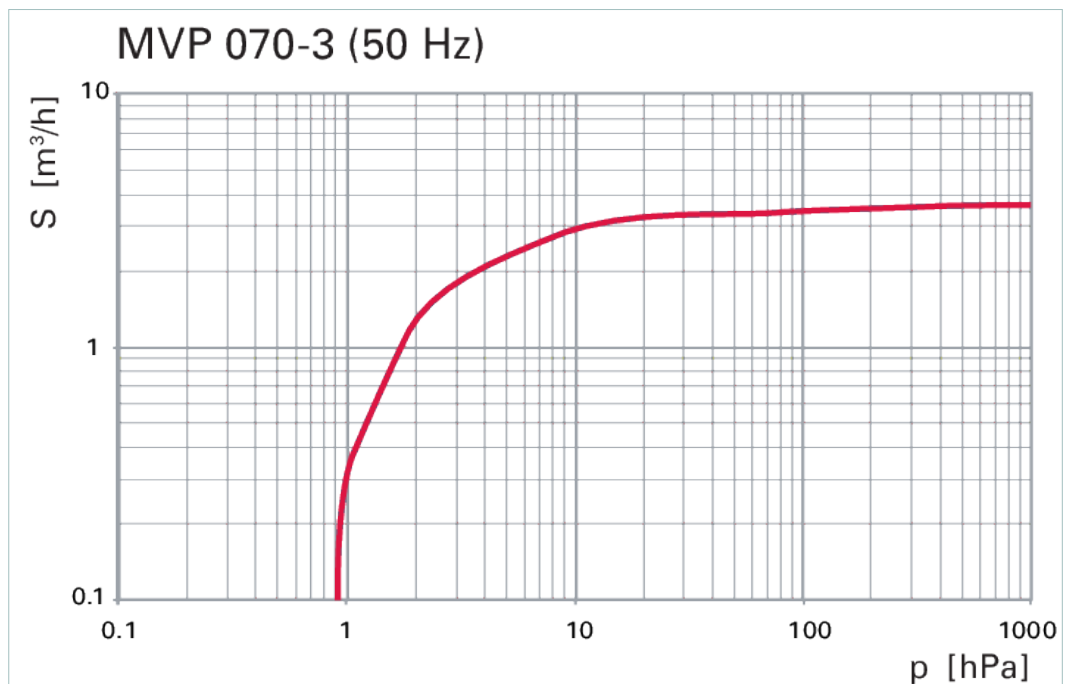
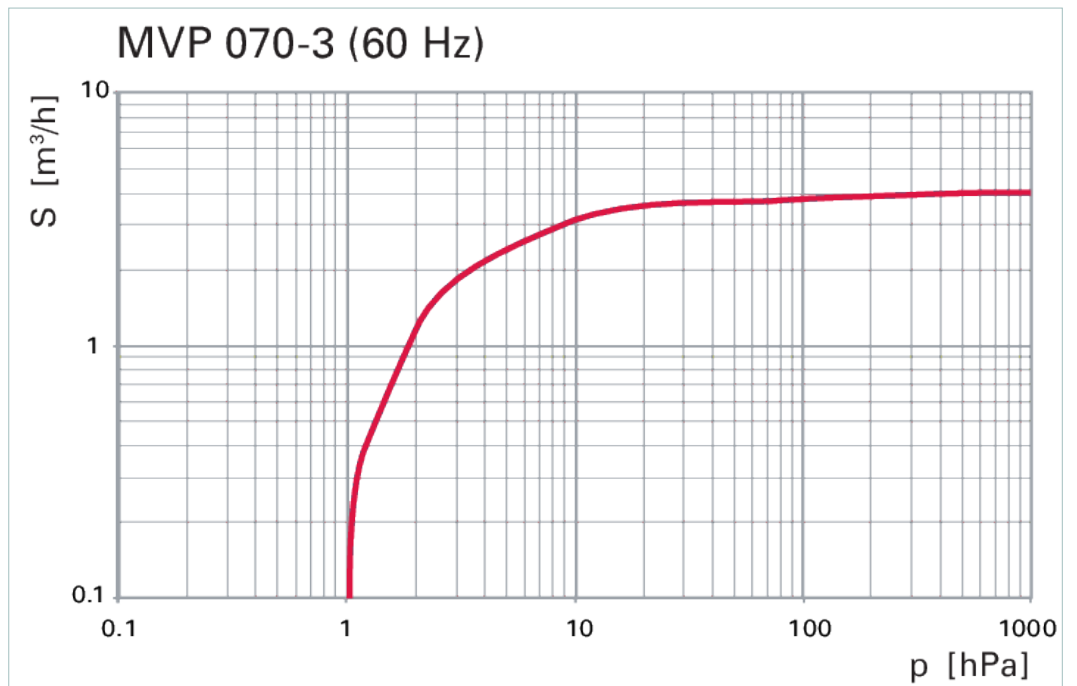


MVP 070-3 , 隔膜泵 , 100-230
V , 50/60 Hz

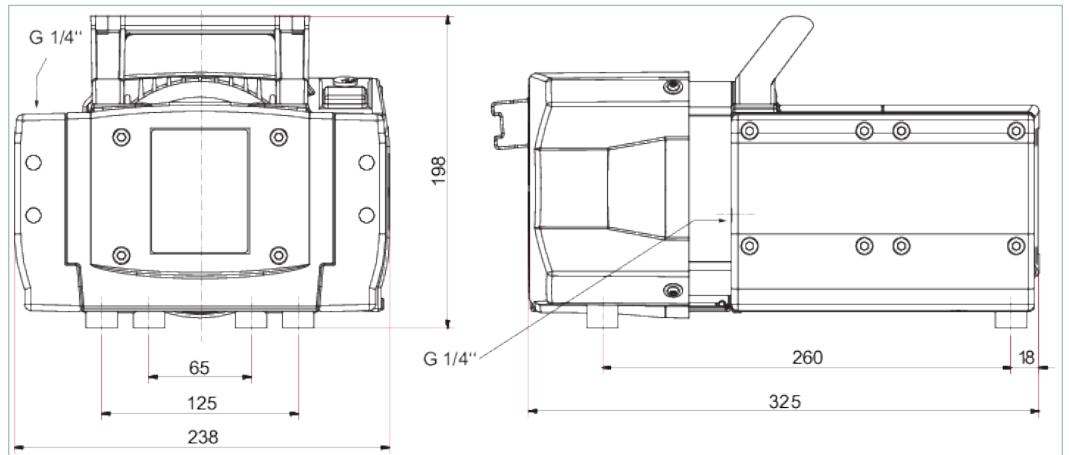


MVP 070-3, 隔膜泵, 100-230 V, 50/60 Hz

- 具有最高 4.3 m³/h
- 适用于电源电压：90-126/180-254 V, 50/60 Hz
- 适用于在其中需要干燥、无油真空的应用
- 理想的工艺匹配



尺寸



技术参数	MVP 070-3, 隔膜泵, 100-230 V, 50/60 Hz
50 Hz 时的抽速	3.8 m ³ /h
50 Hz 时的转速	1,500 rpm 1,500 min ⁻¹
60 Hz 时的抽速	4.3 m ³ /h
60 Hz 时的转速	1,800 rpm 1,800 min ⁻¹
不带气镇的声压级	55 (A)
不带气镇的最终压力	1
保护类型	IP40
冷却类型, 标准	
开关	
最大吸入压力	1100
最大排气压力	1100
最高工作海拔	2000
标称电流消耗	5.7
泄漏率	2 · 10 ⁻³ Pa m ³ /s
泵的级数	4
温度: 储存	-10 – 60 °C
环境温度	10 – 40 °C
电机型号	
电源连接: 电压(范围)	±10 %
电源连接: 电压 50 Hz	100 – 115; 200 – 230 V
电源连接: 电压 60 Hz	100 – 115; 120; 200 – 230 V
连接法兰 (入口)	G 1/4" 10/81000 mm G 1/4"
连接法兰 (出口)	G 1/8 +
重量	16.4

订单号	
MVP 070-3	PK T01 315

VACUUM SOLUTIONS FROM A SINGLE SOURCE

Pfeiffer Vacuum stands for innovative and custom vacuum solutions worldwide, technological perfection, competent advice and reliable service.

COMPLETE RANGE OF PRODUCTS

From a single component to complex systems:

We are the only supplier of vacuum technology that provides a complete product portfolio.

COMPETENCE IN THEORY AND PRACTICE

Benefit from our know-how and our portfolio of training opportunities!

We support you with your plant layout and provide first-class on-site service worldwide.

Are you looking for a
perfect vacuum solution?
Please contact us:

Pfeiffer Vacuum GmbH
Headquarters · Germany
T +49 6441 802-0
info@pfeiffer-vacuum.de

www.pfeiffer-vacuum.com

All data subject to change without prior notice.

PFEIFFER  **VACUUM**